

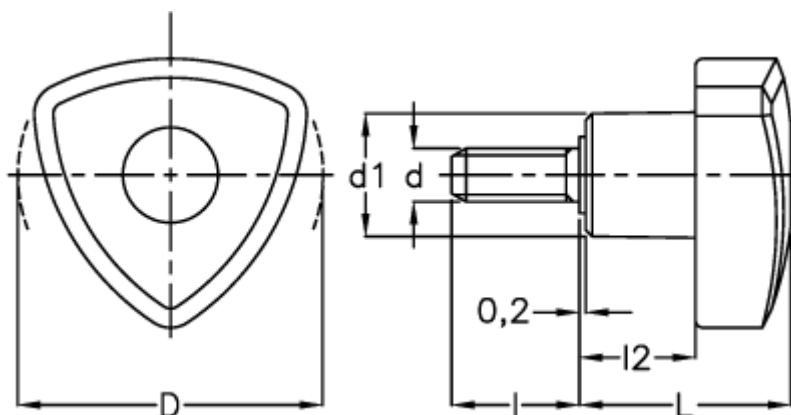
Data Sheet



Article number: 2302083041

Description: E+G Lock knob
VTR.32 p-M5x10

Measures



d = 32

d1 = 14

d 6g = M5

l = 10

L = 26

l2 = 16